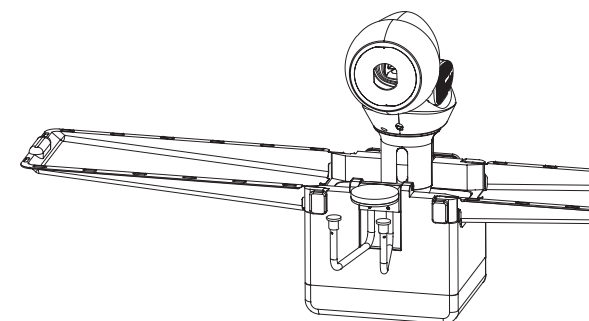


# 庞伯特®智能夹台式发球机器人 OMNI 使用指南

Pongbot® Smart Table Tennis Serving Robot Operation Manual

型号 (Model): OMNI PRO

版本 (Version): V1.0



**PONGBOT**  
上海创屹科技有限公司  
Shanghai Pongbot Co., Ltd

如您在使用过程中, 遇到任何问题, 均可登录官网  
或来电进行咨询!

If you encounter any problems during use, please call  
customer service or consult the official website.

创屹官方网址 (Website): [www.pong-bot.com](http://www.pong-bot.com)

售后服务热线 (Customer Service): 400-190-6688

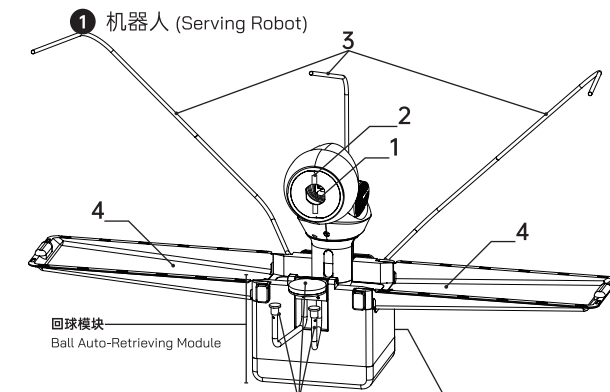


扫码观看安装视频  
Scan and watch  
Installation Instruction



关注创屹微信公众号  
了解最新产品资讯  
Scan and follow our  
official Wechat account

## 产品构成 (Product Info)

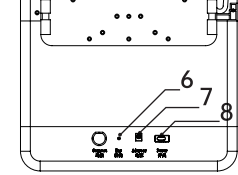


2 回收球网  
Ball Recycling Net



- 1 出口口  
Ball Export Portal
- 2 指示灯  
LED Indicators
- 3 回收球网支撑管  
Ball Recycling Net Support Poles
- 4 集球板  
Ball Collecting Plates

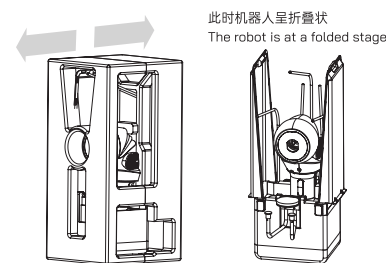
回收球网背面  
Ball Auto-Retrieving Module (Back)



- 5 夹持组件: 夹板 + 夹持管 × 2  
Clamp Module:  
Clamp + Support Poles × 2
- 6 配网 / 配对开关  
WLAN/Bluetooth Connection
- 7 电源适配器接口  
Power Adapter
- 8 电源开关  
Power Button

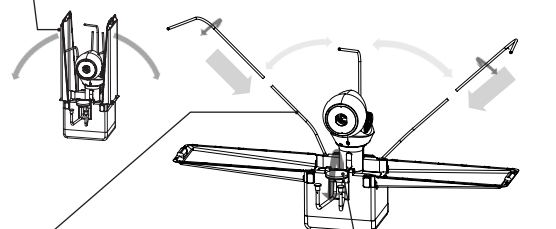
## 安装指导 (Installation)

- 1 分离两侧泡棉保护层, 取出机器人  
Separate the protection foam on both sides  
and take out the robot



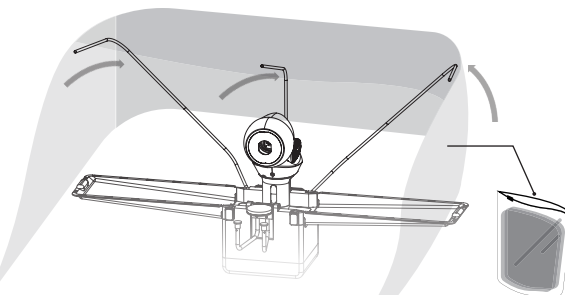
此时机器人呈折叠状  
The robot is at a folded stage

- 2 集球板向上提起至限位后, 向两侧旋转 90° 展开  
First, lift up the collecting plates, then expand them to the sides

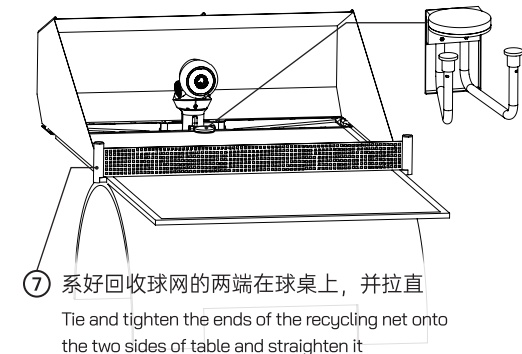


- 3 回收球网支撑管相互插入连接, 并旋转撑开  
Connect the support poles and  
insert them onto the robot, then  
rotate to expand
- 4 夹持组件向前旋转打开  
Rotate forward  
to open the  
clamp module

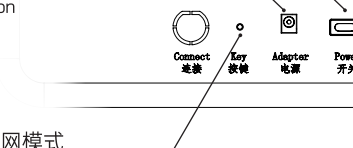
- 5 将回收球网从包装袋中取出并展开, 依次将其套入回收球网三根支撑管中  
Take out and unfold the ball recycling net, then insert the support poles, connect them to the net



- 6 夹持组件夹在球桌上, 两根夹持管可以调节角度使之适应球桌厚度使机器人保持水平  
First, clamp the robot onto the tennis table. Then, to ensure the robot is clamped at a horizontal level, adjust the angle between the two support poles to adapt table thickness



- 8 接通电源后, 打开开关  
Turn on power button



- 9 长按 3 秒进入配网模式  
正在配网时, 指示灯呈绿色闪烁  
配网成功后, 指示灯呈蓝色常亮  
Press and hold for 3 seconds  
to enter WLAN mode  
During WLAN configuration the  
LED indicator flashes in green.  
After a successful connection,  
the indicator lights up in blue

- 10 机器人安装完成, 请根据配网指导进行配网  
Installation process is complete. Please follow the following steps to connect the robot to internet

## 配网指导 (WLAN Connection)

- 1 为便于您将设备连网, 接下来的步骤需要使用庞伯特 APP 完成, 请通过以下渠道下载 APP  
For your convenience, the following steps require the use of Pongbot APP, please download via:



1. 扫码下载 (Scan QR code)
2. 官网下载 (Official website): [www.pong-bot.com](http://www.pong-bot.com)
3. 各大应用市场搜索“PONGBOT”或“庞伯特”下载 (Search "Pongbot" at APP stores)

APP 及相关服务目前仅限中国大陆地区使用  
Currently APP and related services are only available in China

- 2 请在注册账号后登录, 进入 APP  
After installing the app, create an account and log in.



2.1 点击“+”按钮添加设备  
Click “+” to add new device

2.2 扫描设备二维码 (位于机身)  
Scan device QR (located in the back of Ball Auto-Retrieving Module)

2.3 确认设备信息  
Confirm device information and continue

## 安全信息 Safety Information

在使用和操作设备前，为确保设备性能最佳，并避免出现危险或非法情况，请查阅并遵循所有的安全信息

To avoid danger and illegality, please carefully read and follow all of the below-mentioned safety information prior to installation and utilization of the device

## 操作与安全 Safety Instructions

- 为了防止可能的身体疲劳，请勿长时间使用锻炼
- 请在温度 -10°C ~ 45°C 范围内使用本设备，并在此温度范围内存放设备及其配件。当环境温度过高或过低时，可能会引起设备故障
- 请勿将设备暴露在高温或发热设备的周围，如取暖器、微波炉、烤箱或热水器等
- 使用设备时，电源插座应安装在设备附近并易于触及
- 当设备不使用时，请断开电源适配器与设备的连接并从电源插座上拔掉电源
- 使用未经认可或不兼容的电源适配器，可能引发火灾、爆炸、设备损坏或其他危险
- 只能使用设备制造商认可且与此型号设备配套的配件。如果使用其他类型的配件，可能违反本国设备保修条款及相关规定，并可能导致安全事故。如需获取认可的配件，请与创屹科技客户服务中心联系
- 使用非授权第三方软件升级设备固件和系统，可能存在设备无法使用或者泄漏您个人信息等安全风险。建议您使用官方 APP 进行升级

- To avoid physical fatigue, please do not exercise long-termly
- Please use and store the device and its accessories under the environment of -10°C ~ 45°C. When the temperature is too high or low, an error might occur
  - Please do not expose device to surroundings of other high-temperature devices, including heater, microwave, oven, water heater, etc.
  - During use, the power outlet should be close to the device and within reach
  - When not in use, please disconnect the power adapter from the device and remove the power plug from the outlet
  - Be aware that uncertified or incompatible power adapter might cause fire, explosion and other potential danger
  - Please only use accessories that are certified by the device manufacturer or corollary equipment of the device. Any other type of accessories might result in violation of national warranty and related regulations that could cause safety incidents. Please contact Pongbot's Customer Service Center for certified accessories
  - Use of uncertified, third-party software during firmware and system update might result in dysfunctional device or leakage of personal information. To upgrade, use of official APP is highly recommended

上海市浦东新区金藏路 257 号  
No.257 Jinzang Rd., Pudong Shanghai

+86 4001906688

marketing@pong-bot.com

www.pong-bot.com

版权所有 © 上海创屹科技有限公司，保留一切权力。本指南仅供参考，不构成任何形式的承诺。产品(包括但不限于颜色、尺寸、重量等)请以实物为准。Copyright © Shanghai Pongbot Co., LTD. All rights reserved. This guide is for reference only and does not constitute any kind of commitment. Products (including but not limited to color, size, weight, etc.) shall prevail in kind.

### ③ 开始设备连网

Connecting device to internet



3.1

3.2

3.3

- 3.1
  - 确保手机已经连接至可上网的 Wi-Fi
  - 设备只支持使用 2.4HzWi-Fi 连接使用，请选择当前手机所连接的 Wi-Fi 并输入对应密码后进行网络连接
  - Make sure your phone is connected to Wi-Fi
  - Please note that this device supports only 2.4HzWi-Fi. Select the Wi-Fi that your phone is currently connected to and enter password
- 3.2
  - 开机状态下，请于机器人侧面找到配网按键(见产品构成 6)，按下“按键”5 秒后松开，进入网络配置模式
  - Make sure that the device is plugged in, press and hold "Key" button (Product Info 6) for 5 sec to enter internet-connection mode

3.3

- 正在配网时，机器人指示灯呈绿色慢闪烁
- 请在确认机器人进入配网模式后点击“下一步”
- During internet-connection mode, the LED indicator should flash in green
- Confirm and make sure the device has entered internet-connection mode, then click "Next"

### ④ 设备连网成功后机器人指示灯呈蓝色常亮

After a successful internet-connection, the LED indicator should light up in blue



### ⑤ 启动设备，即可开始体验

Initiate device, then it's ready for use



5.1 点击已连接的设备

Select the connected device

5.2 点击唤醒设备

Initiate device

5.3 开始体验

Ready for use

## APP 使用 (APP Features) 仅限中国大陆地区使用 (Currently APP and related services are only available in China)

- ① 在确认机器人摆放位置后，可搜索选择您希望体验的组合球，也可通过单点、两点或多点球进行筛选

You may search and choose the desired ball-combination, or you may filter to find various landing-point categories



- ② 如果现有组合不能满足您的体验需求，您也可以添加自定义组合（此组合内支持机器人指示灯颜色自定义）

If the pre-set ball-combinations do not meet your needs, you may add and customize training drills accordingly



点击添加新组合  
Add New

灯光自定义  
LED Color

- ③ 可根据喜好调整机器人指示灯颜色(每个单球支持 30 种灯光颜色选择)

Based on your preference, you may customize LED light color for each ball (a maximum of 30 colors allowed)



3.1 打开“指示灯自定义”  
Turn on "Color Customization"

3.2 选择当前单球的指示灯颜色(点击切换)

Choose a color for the ball you're currently editing (click to switch balls)

当前位于 5 号球  
Currently editing ball #5

## Warranty Card

Pongbot®Smart Table Tennis Serving Robot

### Customer Info

Name: \_\_\_\_\_ Address: \_\_\_\_\_

Phone: \_\_\_\_\_ Postal Code: \_\_\_\_\_

E-Mail: \_\_\_\_\_

### Product Info

Model: \_\_\_\_\_ SN: \_\_\_\_\_

Origin: \_\_\_\_\_ Service: 400-190-6688

### Retailer Info

Name: \_\_\_\_\_ Address: \_\_\_\_\_

Phone: \_\_\_\_\_ Postal Code: \_\_\_\_\_

Invoice #: \_\_\_\_\_ Date of Sale: \_\_\_\_\_

Retailer Stamp: \_\_\_\_\_

### Notice:

- Pongbot®Smart Table Tennis Serving Robot strictly follows and executes national warranty regulations. Pongbot values and respects consumers' rights, we solemnly promise to provide post-sales services, maintenance, exchanges and returns under national regulations.
- Below-mentioned situations are not included in warranty:
  - Human factors and abnormalities that cause damage to the device (ex. harmful power source, foreign matter enters the device, poor transportation by customers, etc.)
  - Disassemble and maintenance behavior by non-appointed personnel that causes damage
  - Performance index and technical parameters meet the standards of product design and regulations
  - Forced device operation when parts have been damaged or aged
  - Use of non-original accessories (not manufactured by Pongbot) that causes error or damage
  - Unavoidable factors that cause device damage, including natural disasters, such as earthquake, flood, fire, etc.
  - Products that exceed warranty periods

## 三包凭证

庞伯特®智能夹台式发球机器人

### 用户信息

姓名: \_\_\_\_\_ 地址: \_\_\_\_\_

电话: \_\_\_\_\_ 邮政编码: \_\_\_\_\_

邮箱: \_\_\_\_\_

### 产品信息

型号: \_\_\_\_\_ SN: \_\_\_\_\_

产地: \_\_\_\_\_ 服务热线: 400-190-6688

### 销售商信息

姓名: \_\_\_\_\_ 地址: \_\_\_\_\_

电话: \_\_\_\_\_ 邮政编码: \_\_\_\_\_

发货票号: \_\_\_\_\_ 销售日期: \_\_\_\_\_

销售商印章: \_\_\_\_\_

### 备注:

- 庞伯特®智能夹台式发球机器人严格执行国家三包法，遵守行业准则，并充分尊重消费者权益，为消费者提供全方位服务保障和郑重承诺，对国家规定或者与消费者约定包修、包换、包退的商品，创屹科技承诺负责修理、更换或者退货
- 以下情况不属于三包范围：
  - 人为因素和非正常原因(不良的电源环境、异物进入设备、客户不良运输等)造成设备的损坏
  - 非创屹科技指定服务人员所拆解、维修等行为造成设备的损坏
  - 性能指标或技术参数达到产品设计及说明标准的
  - 在零部件发生老化或损坏的情况下强制运行造成设备的损坏
  - 使用非创屹科技原厂配件造成设备的故障或损坏
  - 不可抗因素造成设备损坏，如地震、洪水、火灾等自然灾害
  - 已超过保修期的产品